

Hello

User Manual

Wireless Charging Mate

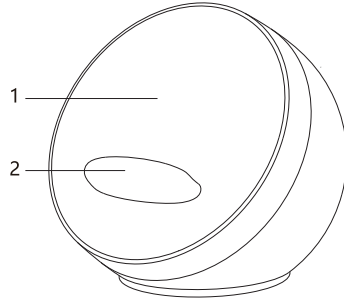
HE101



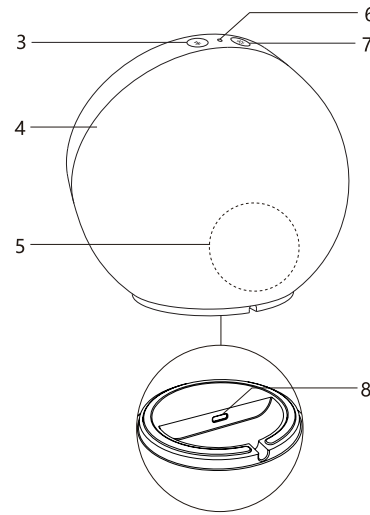
More info.

Product Descriptions:

HE101 is one multifunctional design fast wireless charger with bluetooth speaker. All Qi standard mobile devices can be wonderfully charged when you gently put your devices on the charging location. Connect phone to the bluetooth speaker and watch the video more exciting.



1. Wireless charging sensing area.
2. Phone holder.

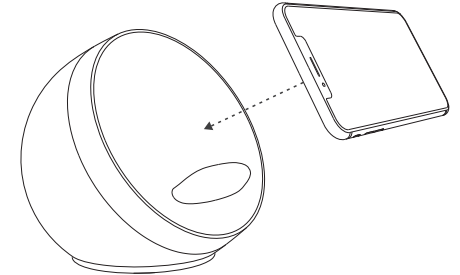


3. Bluetooth speaker button.
4. LED mood light.
5. Bluetooth speaker.
6. Wireless charging indicator.
7. LED mood light button.
8. USB-C charging port.

Applicable Devices:

iPhone X, iPhone Xs, Iphone Xs Max, Iphone Xr, iPhone 8 Plus, iPhone 8, Samsung S8, Samsung Note8 etc.

Please put the phone on the holder, make the wireless receiver close to the wireless charging transmitter.



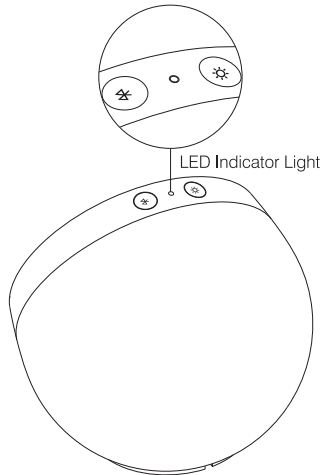
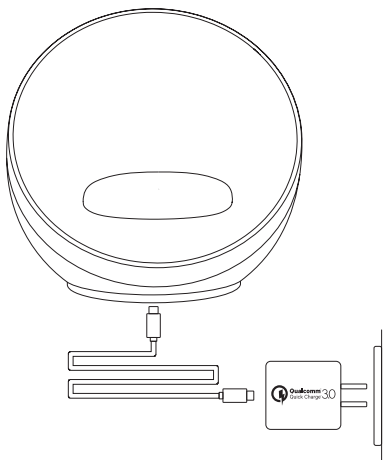
⊗ Connect Bluetooth Speaker Operations:

1. Long press the bluetooth button, when you hear the up tone, the bluetooth speaker is turned on.
2. The phone turns on bluetooth, search for the bluetooth device name "heecavs HE101".
3. When connection prompt sounds, the device is connected.
4. Tap the bluetooth button to pause, tap the button again to play.
5. Long press the Bluetooth button, when hear the falling tone indicator, the bluetooth speaker turns off.

⊗ LED Mood Light Switch Operations:

1. Tap the mood light button to turn on.
2. Continue to tap the mood light button to adjust the brightness. The mood light has four levels of dimming.
3. Long press the mood light button to turn off.

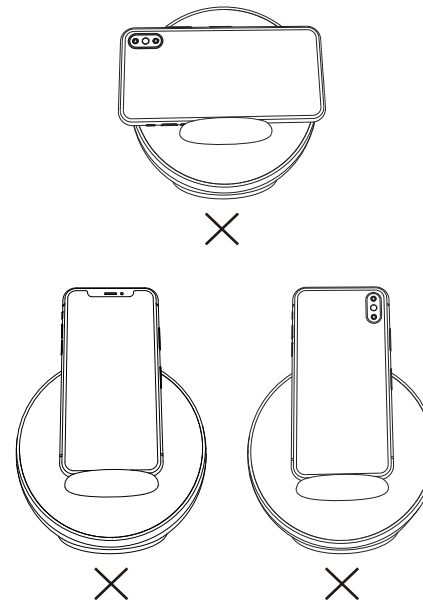
Please use QC3.0 charger.



Indicator Light Work Status:

- Blue: Standby.
- Red blink: Charging.
- Blue-Red-Red: Pin FOD, has foreign object debris on surface.
- Double Red blink: FOD, has foreign object debris on surface and charging.
- Blue blink: Overvoltage.

Wrong Way (No Charging):



In The Box:

- Wireless Charging Mate
- USB-C Cable
- User Manual

Specifications:

- USB-C Charging Port
- Input: 9V 2A Max, Support QC2.0, QC3.0 Charger
- Wireless Charging Output: 10W Max
- Support 7.5W Apple Fast Charging
- Support 10W Samsung Fast Charging
- Support 5W Qi-enabled Charging
- Material: Plastic + Fabric
- Wireless Charging Output Efficiency: ≥80%
- Bluetooth 4.2 Speaker: 3W Max
- LED Mood Light: 3W Max
- Size: 140x134x134mm

Cautions:

1. Do not disassemble, collisions or throw into fire or water, to avoid causing a short-circuit or damage.
2. The product should be kept in a dry and ventilated environment. Do not store it in an area of high humidity and high temperature.
3. Do not place foreign material such as metal objects, magnets, and magnetic stripe cards to avoid overheating.
4. Take care of the children, to ensure that they won't play the wireless charger as a toy, to avoid unnecessary accidents.

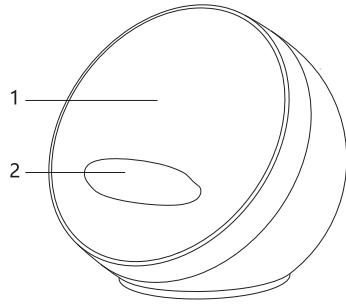
Hello
您好

用户手册
无线充电蓝牙音箱
HE101

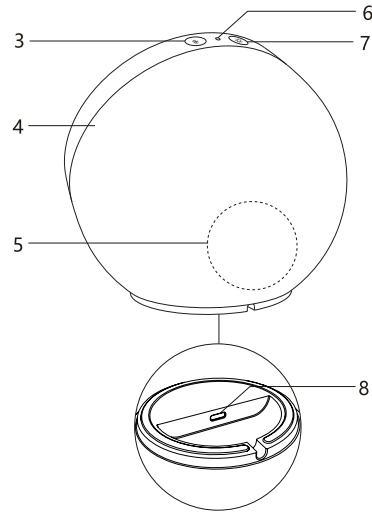


产品介绍:

HE101是一款有无线充电功能的蓝牙音箱，符合Qi标准的手机，只要轻轻放在托架上，即可进行充电，手机连接蓝牙音箱，观看视频更精彩。



- 1、无线充电感应区域；
- 2、手机托架；

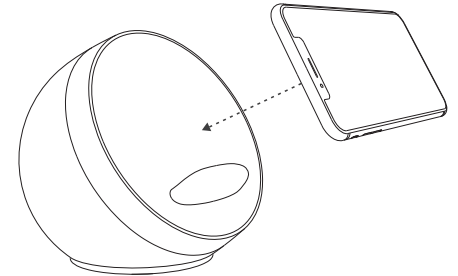


- 3、蓝牙音箱开关按键；
- 4、LED氛围灯；
- 5、蓝牙音箱；
- 6、无线充电指示灯；
- 7、LED氛围灯开关按键；
- 8、USB-C电源接口。

适用设备:

iPhone X, iPhone Xs, iPhone Xs Max, iPhone XR, iPhone 8 Plus, iPhone 8, Samsung S8, Samsung Note8等等。

请把手机放在托架上，无线接收端贴紧无线充电发射端。



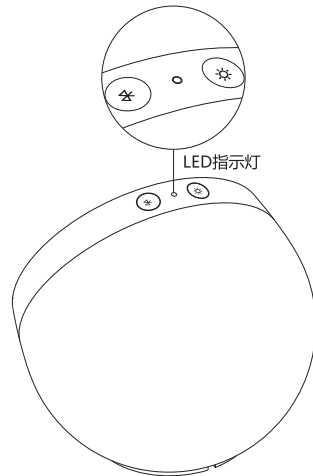
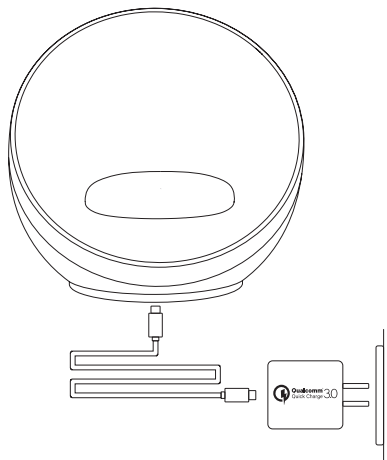
连接蓝牙音箱操作:

- 1、长按蓝牙按键，听到升调指示音，蓝牙音箱为开启。
- 2、手机打开蓝牙，寻找蓝牙设备名“heecavs HE101”。
- 3、连接提示音响起，即为设备已连接。
- 4、轻按蓝牙按键为暂停，再次轻按按键为播放。
- 5、长按蓝牙按键，听到降调指示音，蓝牙音箱关闭。

氛围灯开关操作:

- 1、轻按氛围灯按键，开启氛围灯。
- 2、继续轻按氛围灯按键，以调节不同亮度，氛围灯有四档调光。
- 3、长按氛围灯按键，关闭灯光。

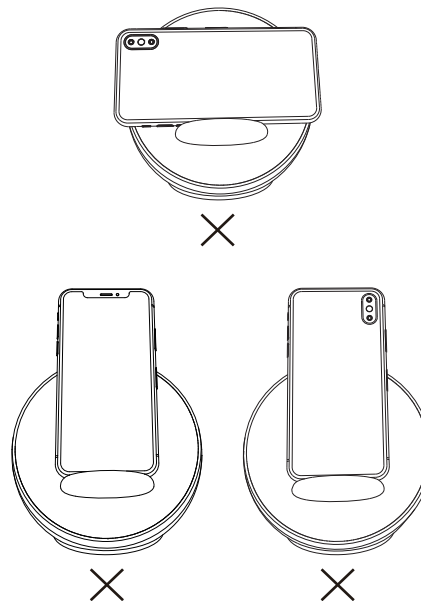
请选用QC3.0充电器。



指示灯工作状态说明:

- 蓝灯亮: 正常，进入待机状态；
- 红灯闪烁: 正常充电；
- 蓝-红-红: Pin FOD状态，检测到表面有异物；
- 红灯双闪: FOD状态，检测到表面有异物并且正在充电；
- 蓝灯闪烁: 过压状态，检测到输入电压过大。

错误充电摆放方式:



产品清单:

无线充电蓝牙音箱
USB-C数据线
用户手册

产品规格:

USB-C电源接口
输入: 最大9V 2A, 支持QC2.0, QC3.0充电器
无线充输出: 最大10W
支持7.5W苹果快充
支持10W三星快充
支持5W Qi无线充电
材料: 塑料+纺织物
无线充输出效率: ≥80%
LED灯: 最大3W
蓝牙音箱: 最大3W
尺寸: 140x134x134mm

注意事项:

- 1、请勿自行拆卸，碰撞或投入水与火中，避免引起短路漏电或损坏设备。
- 2、产品应放置在干燥通风的环境下，避免在高温或潮湿的环境下使用。
- 3、充电时请勿放置异物，如金属片，磁条或带芯片的磁卡，避免设备高温过热。
- 4、请看管好儿童，确保他们不将无线充电器当成玩具来玩，避免不必要的意外。