

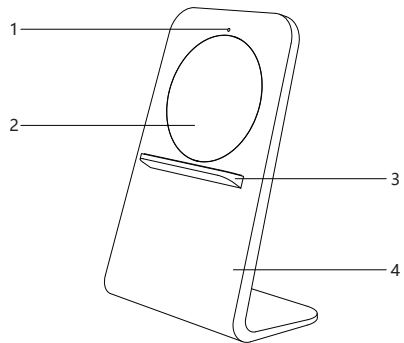
Hello

User Manual
Wireless Charging Stand
 HL101

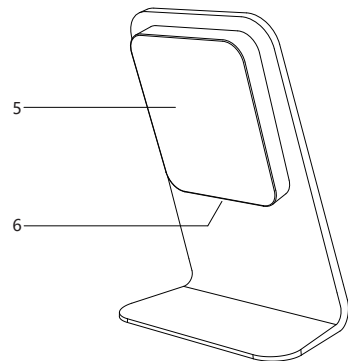


Product Description:

Fast Wireless Charging Stand HL101 specially designed for users who like watching videos on cell phones. In order to bring users comfortable viewing experience, we did substantive tests to get the best angle and height for watching videos and keeping neck comfortable. It will bring you fast, efficient and convenient charging experience.

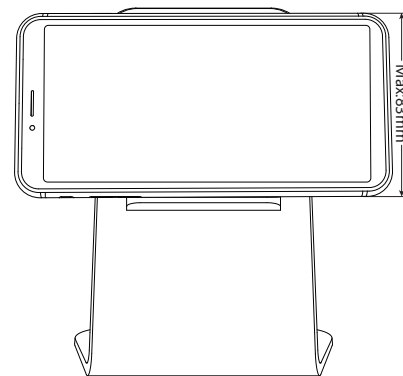


- 1. LED Indicator Light
- 2. Ceramic
- 3. Phone Holder
- 4. Aluminum Bracket



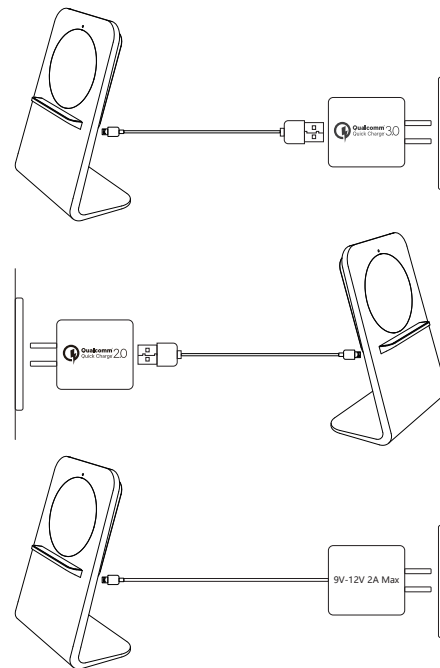
- 5. Plastic Back Case
- 6. Micro USB Port

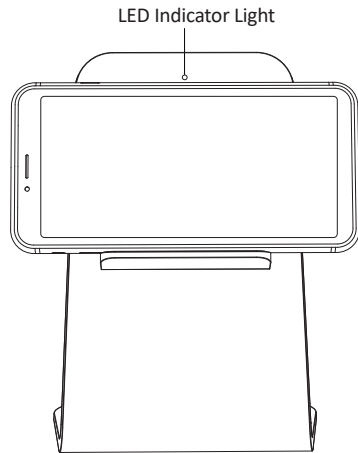
Compatibility:



This included iPhone X, iPhone 8 Plus, iPhone 8, Samsung S8, S8 Plus, Note8, Note5, S7 Edge, S7, S6 Edge, S6, S6 Edge Plus etc. And word with 5W Qi devices.

Instructions:





Indicator Light Work Status:

Blue: Stand by.

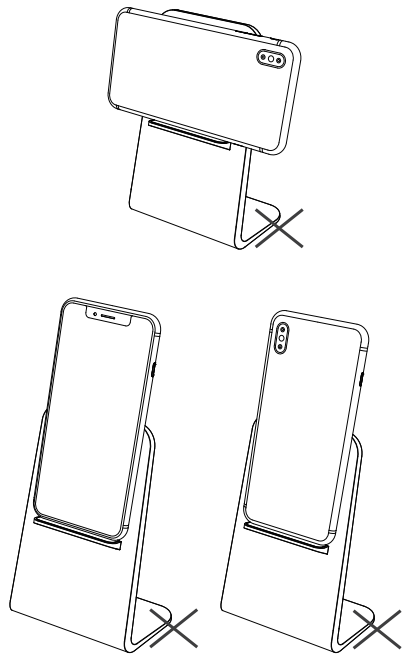
Red blink: Charging.

Blue-Red-Red: Pin FOD, has foreign object debris on surface.

Double Red blink: FOD, has foreign object debris on surface and charging.

Blue blink: Overvoltage.

Wrong Putting:



Package Contents:

Wireless Charging Stand
Micro USB Cable
User Manual

Specifications:

Micro USB Port
Input: 9-12V / 2A Max, Support QC2.0, QC 3.0 Charger
Output: 10W Max
Support 7.5W Apple Fast Charging
Support 10W Samsung Fast Charging
Support 5W Qi-enabled Charging
Material: Aluminum +Ceramic+ Plastic
Output Efficiency: ≥80%
Storage Temperature: -20 to +85 ℃
Work Temperature: 0 to 35℃
Size: 157x114x65 mm

Caution:

1. Do not disassemble, collisions or throw into fire or water, to avoid causing a short-circuit or damage.
2. The product should be kept in a dry and ventilated environment. Do not store it in an area of high humidity and high temperature.
3. Do not place foreign material such as metal objects, magnets, and magnetic stripe cards to avoid overheating.
4. Take care of the children, to ensure that they won't play the wireless charger as a toy, to avoid unnecessary accidents.

FCC Warning

This device complies with part 15 of the FCC Rules. Operation is subject to the following two conditions: (1) This device may not cause harmful interference, and (2) this device must accept any interference received, including interference that may cause undesired operation. Any Changes or modifications not expressly approved by the party responsible for compliance could void the user's authority to operate the equipment. This equipment has been tested and found to comply with the limits for a Class B digital device, pursuant to part 15 of the FCC Rules. These limits are designed to provide reasonable protection against harmful interference in a residential installation. This equipment generates uses and can radiate radio frequency energy and, if not installed and used in accordance with the instructions, may cause harmful interference to radio communications. However, there is no guarantee that interference will not occur in a particular installation. If this equipment does cause harmful interference to radio or television reception, which can be determined by turning the equipment off and on, the user is encouraged to try to correct the interference by one or more of the following measures:

- Reorient or relocate the receiving antenna.
- Increase the separation between the equipment and receiver.
- Connect the equipment into an outlet on a circuit different from that to which the receiver is connected.
- Consult the dealer or an experienced radio/TV technician for help. The device has been evaluated to meet general RF exposure requirement. The device can be used in portable exposure condition without restriction.

Warranty Card / 保修卡

Customer Name / 客户姓名: _____
Phone Number / 联系电话: _____
Product Name / 产品名称: _____
Date of Purchase / 购买日期: _____
Address / 地址: _____
Notes / 备注: _____

广州荷比特科技有限公司
Guangzhou Hebit Technology Co., Ltd.

ADD: Xiajiao business building #2, Guangzhou, GD, China
地址: 中国广东省广州市厦滘商业大厦2号楼
Zip / 邮编: 511430
Tel / 电话: +86 (0) 20 3873 1533
Fax / 传真: +86 (0) 20 3873 1816
Web / 网址: heecavs.com
Email / 邮箱: Support@heecavs.com

广州荷比特科技有限公司版权所有并保留一切权利
Copyright © 2018 Guangzhou Hebit Technology Co., Ltd. All rights reserved.

Made in China 中国制造

