

heecavs

# Hello

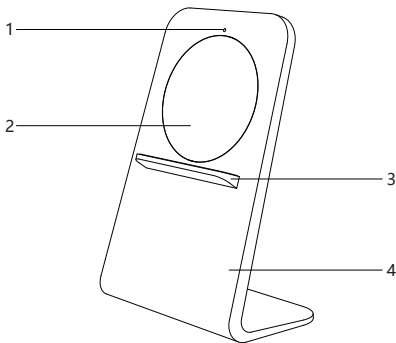
**User Manual**  
**Wireless Charging**  
**Stand HL101**



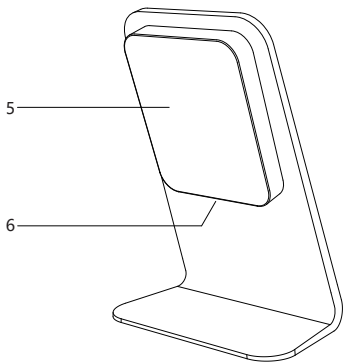
More info.

## Product Description:

Fast Wireless Charging Stand HL101 specially designed for users who like watching videos on cell phones. In order to bring users comfortable viewing experience, we did substantive tests to get the best angle and height for watching videos and keeping neck comfortable. Compatible for any Qi-enabled devices . It will bring you fast, efficient and convenient charging experience.

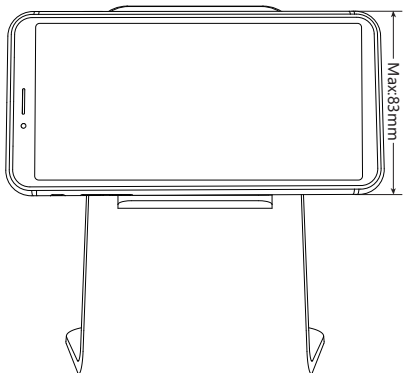


1. LED Indicator Light
2. Ceramic
3. Phone Holder
4. Aluminum Bracket



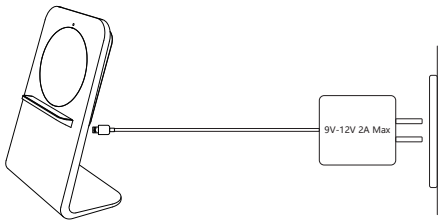
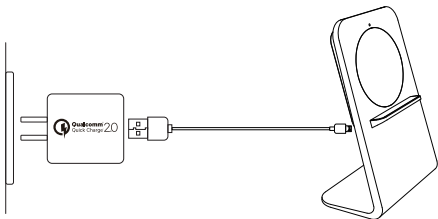
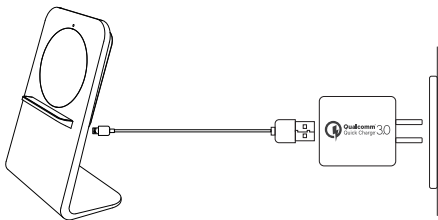
- 5.Plastic Back Case
- 6.Micro USB Port

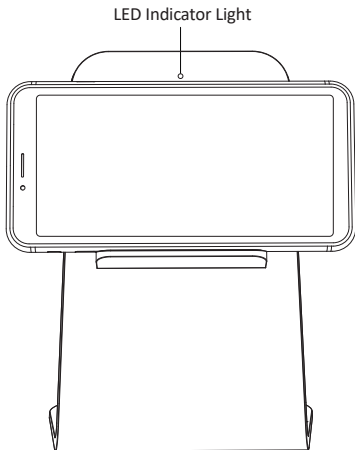
## Compatibility:



Works with Qi devices. This included iPhone X, iPhone 8 Plus, iPhone 8, Samsung S8, S8 Plus, Note 8, Note 5, S7 Edge, S7, S6 Edge, S6, S6 Edge Plus etc.

## Instructions:





### **Indicator Light Work Status:**

Red: Standby

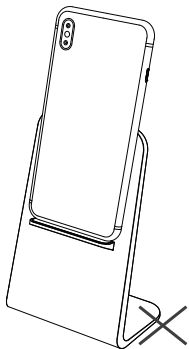
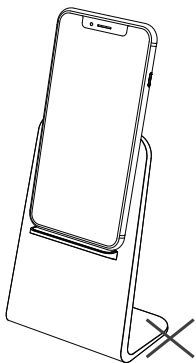
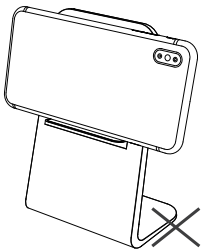
Red Blink: Error(FOD or<9V)

Orange Blink: 7.5W Apple Fast Charging, 5W Qi Charging

Green Blink: 10W Samsung Fast Charging

Green: Charge Completed

## Wrong Putting:



## **Package Contents:**

Wireless Charging Stand  
Micro USB Cable  
User Manual

## **Specifications:**

Micro USB Port  
Input: 9-12V / 2A Max, Support QC2.0,  
QC 3.0 Charger  
Output: 10W Max  
Support 7.5W Apple Fast Charging  
Support 10W Samsung Fast Charging  
Support 5W Qi Charging  
Material: Aluminum +Ceramic+ Plastic  
Output Efficiency:  $\geq 80\%$   
Storage Temperature:  $-20$  to  $+85^{\circ}\text{C}$   
Work Temperature:  $0$  to  $35^{\circ}\text{C}$   
Size: 157x114x65 mm

## **Caution:**

1. Do not disassemble, collisions or throw into fire or water, to avoid causing a short-circuit or damage.
2. The product should be kept in a dry and ventilated environment. Do not store it in an area of high humidity and high temperature.
3. Do not place foreign material such as metal objects, magnets, and magnetic stripe cards to avoid overheating.
4. Take care of the children, to ensure that they won't play the wireless charger as a toy, to avoid unnecessary accidents.